

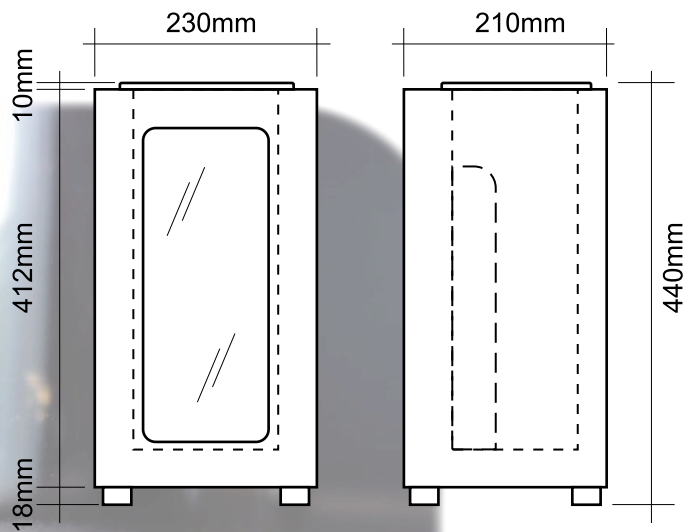
CC1 from Osborne Refrigerators

Meet the new CC1 from Osborne Refrigerators, the perfect alternative to an ice bucket. Professional grade gel cold packs keep your bottle of wine or champagne perfectly chilled for over 7 hours, the double glazed panel displays the contents for all to see and no ice means no drips. The bottle stays dry so there is no mess created by melting ice and no labels peeling off.

The CC1 is ideal for pubs, restaurants, bars, anywhere that serves wine by the bottle. It can also add an extra touch to room service for that special bottle of fizz. The CC1 can also be used for serving ice-cold spirits at the table.



Painted finish



Polished finish

#NOMOREDrips



www.osbornerefrigerators.uk sales@osborne-ref.co.uk
[f @osbornerefrigerators](https://www.facebook.com/osbornerefrigerators) [t @osbornerefrig](https://www.twitter.com/osbornerefrig)

+44(0)1243 267711

Osborne Refrigerators Ltd, Rose Green Road, Bognor Regis PO21 3EG